



2006 Perimeter Road. Greenville, SC 29605
Toll Free: 800/435-9340 - Phone: 864/277-5870
Fax: 864/235-9661 - Website address: www.mightymole.com
Email address: mmole@mightymole.com

Parts Manual

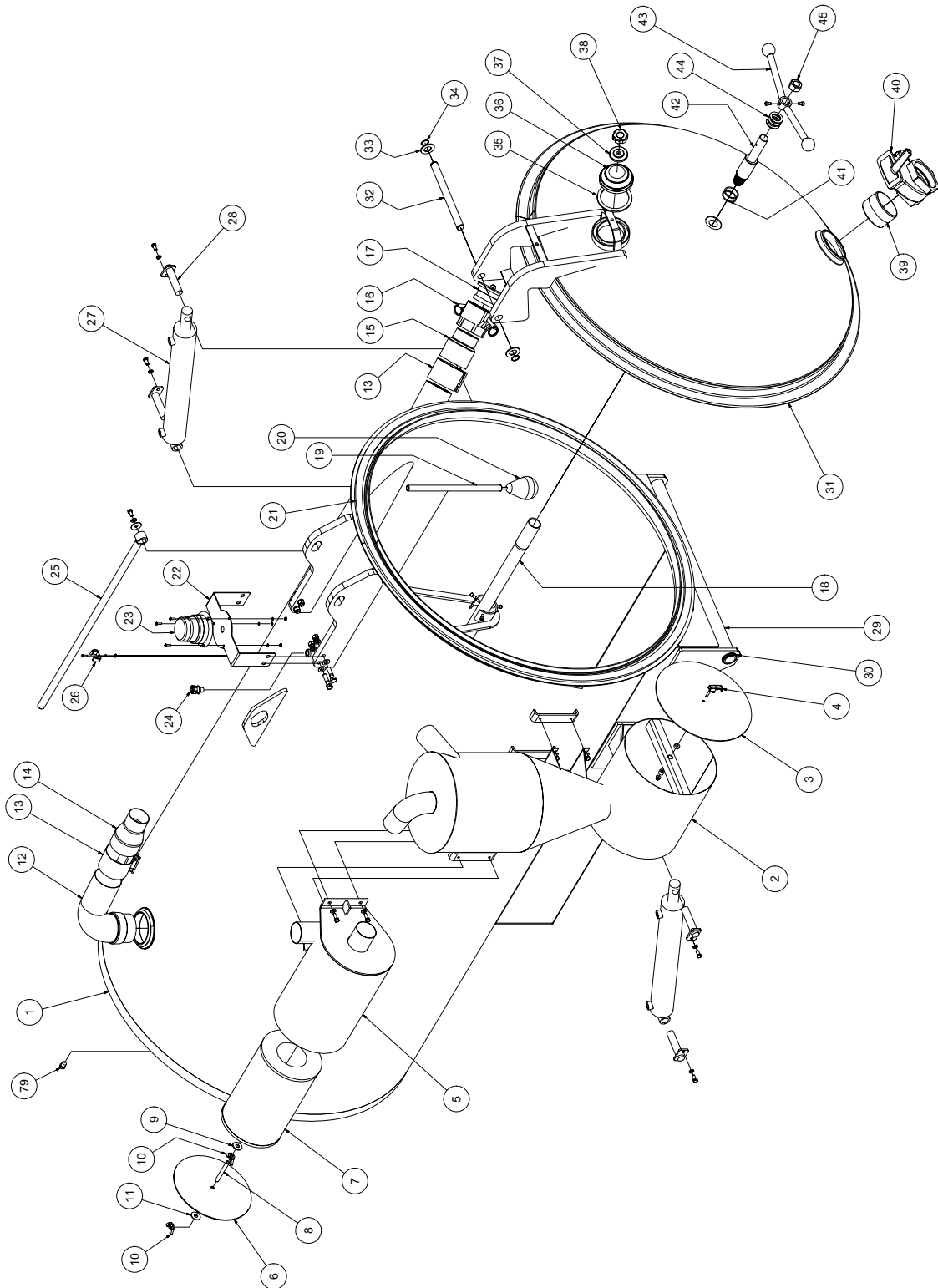
Vermeer/ McLaughlin V750 Vacuum Machine **(Serial #7G112105573 - 7G021306605)**

© 2006 by McLaughlin Group, Inc.

052306

All rights reserved. No part of this manual may be reproduced in any form, or by any means without prior written permission of McLaughlin Group, Inc.

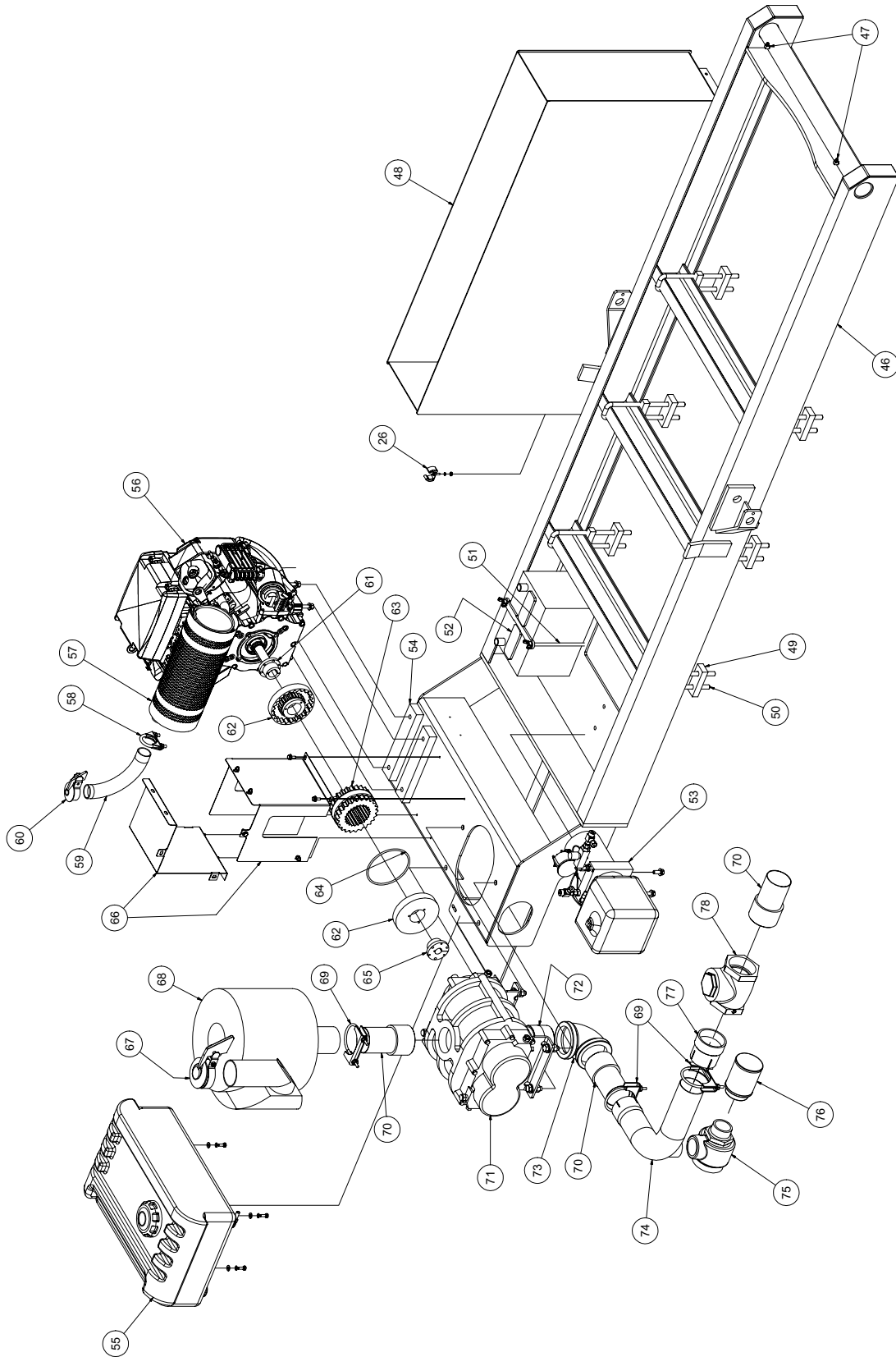
Tank and Door Assembly



Tank and Door Assembly

ITEM#	QTY	NUMBER	DESCRIPTION	ITEM#	QTY	NUMBER	DESCRIPTION
1	1	8040650	TANK	23	1	8030347	STROBE LIGHT
2	1	8040313	CYCLONE SEPARATOR HOUSING	3	U010006	SCREW, PHILLIPS #10-24 X 1"	
	4	U000420	SCREW, HC 3/8-16 X 1.00	3	U210005	WASHER, LOCK #10	
	4	U200600	WASHER, FLAT 3/8"	3	U100010	NUT, HEX #10-24	
3	1	8040315	CYCLONE SEPARATOR DOOR	24	1	X000113	1/2" STRAIN RELIEF
	1	8040079	CYCLONE SEPARATOR DOOR SEA	25	1	8031118	SAFETY PROP ROD
4	1	8040334	SWELL LATCH	1	U000400	SCREW, HC 3/8-16 X 0.75	
5	1	8040326	AIR FILTER HOUSING	1	U200600	WASHER, FLAT 3/8"	
	4	U000420	SCREW, HC 3/8-16 X 1.00	1	8040595	WASHER, SAFETY PROP ROD	
	4	U200600	WASHER, FLAT 3/8"	26	1	8040899	CLIP, TOOL HOLDER
6	1	8040043	AIR FILTER HOUSING DOOR	1	U010006	SCREW, PHILLIPS #10-24 X 1"	
	1	8040089	AIR FILTER HOUSING DOOR SEAL	1	U210005	WASHER, LOCK #10	
7	1	8031178	AIR FILTER ELEMENT	1	U100010	NUT, HEX #10-24	
8	1	8040302	THREADED ROD	27	2	8030359	SPOIL TANK HYDRAULIC CYLINDER
9	1	8031036	SEALING WASHER	28	4	8030128	CYLINDER PIN
10	2	U130080	WING NUT, 1/2-13	4	U000400	SCREW, HC 3/8-16 X 0.75	
11	1	U200110	FLAT WASHER, 1/2" HARDENED	4	U210060	WASHER, LOCK 3/8"	
12	1	8040786	EXHAUST ELBOW	29	1	8030038	TANK PIVOT ROD
13	2	8030400	4" BAND CLAMP	30	2	8030363	2" SPIRAL SNAP RING
14	1	8040791	EXHAUST TUBE REDUCER	31	1	8040709	DOOR
15	1	8031044	3" SUCTION PORT ADAPTER	32	1	8040058	DOOR HINGE ROD
16	1	8030392	3" FEMALE COUPLER	33	2	8030171	DOOR HINGE WASHER
17	1	8030393	3" COUPLING PLUG	34	2	8030362	1" SNAP RING
18	1	8040729	TANK ROD	35	1	8032007	4" COUPLER GASKET
	4	U000880	SCREW, HC 1/2-13 X 2.00	36	1	8031048	SIGHT GLASS
	4	U100120	NUT, HEX 1/2-13	37	1	8031047	SIGHT GLASS PLATE
	8	U200100	WASHER, FLAT 1/2"	38	1	8031046	SIGHT GLASS HAND WHEEL
	3	U010055	SCREW, HSH 5/16-18 X 1.50	39	1	8030431	4" CLOSE NIPPLE
19	1	8040769	HIGH LEVEL FLOAT SWITCH TUBE	40	1	8060916	GATE VALVE
20	1	8030531	HIGH LEVEL FLOAT SWITCH	41	2	W200120	ORING #225 BUNA
21	1	8040875	DOOR SEAL	42	1	8040306	DOOR STRIKER
22	1	8040017	STROBE LIGHT BRACKET	43	1	8040235	DOOR HANDLE
	4	U000880	SCREW, HC 1/2-13 X 2.00	2	U010040	SCREW, HSH 5/16-18 X 0.50	
	4	U200100	WASHER, FLAT 1/2"	2	J400060	KNOB	
	4	U210111	WASHER, LOCK 1/2"	44	3	8030174	SPACER
	4	U100120	NUT, HEX 1/2-13	45	1	U120060	LOCKNUT, NYLON 1" - 8
				79	1	T405064	PLUG, 3/8" NPT

Engine and Skid Assembly



Engine and Skid Assembly

ITEM#	QTY	NUMBER	DESCRIPTION	ITEM#	QTY	NUMBER	DESCRIPTION
26	1	8040899	CLIP, TOOL HOLDER	58	1	8040421	1 1/2" U-BOLT CLAMP
	1	C400119	SCREW, PHILLIPS #10-24 X 3/4"	59	1	8040420	EXHAUST ELBOW
	1	U210005	WASHER, LOCK #10	60	1	8040422	1 1/2" RAIN CAP
	1	U100010	NUT, HEX #10-24	61	1	8040119	BUSHING - ENGINE SIDE
46	1	8040656	SKID	62	2	8040179	COUPLING FLANGE
47	2	T500060	GREASE FITTING	63	1	8040199	COUPLING ELEMENT
48	1	8040730	HOSE STORAGE BOX	64	1	8040199R	COUPLING RING
49	6	8040240	U-BOLT MOUNTING BLOCK	65	1	8040772	BUSHING - BLOWER SIDE
50	6	8040038	U-BOLT WITH NUTS	66	1	8040667	COUPLING GUARD ASSEMBLY
51	1	-	BATTERY HOLD DOWN ASSEMBLY	9	U000040	SCREW, HC 1/4-20 X 0.75	
	1	8050016	HOLD DOWN BAR	9	U100020	NUT, HEX 1/4-20	
	2	8040684	HOLD DOWN THREADED ROD	9	U200020	WASHER, FLAT 1/4"	
	2	U130040	WING NUT, 3/8-16	9	U210020	WASHER, LOCK 1/4"	
52	1	X400020	BATTERY	67	1	8030447	3" RAIN CAP
53	1	8040486	HYDRAULIC POWER PACK	68	1	8030332	SILENCER
	1	8040895	HANDSET CONTROLLER	69	3	8030395	3" U-BOLT CLAMP
	2	U000420	SCREW, HC 3/8-16 X 1.00	70	3	8030287	3" HOSE X 3" MNPT ADAPTER
	2	U200600	WASHER, FLAT 3/8"	71	1	8040000	BLOWER
54	2	8040206	ENGINE RISER BLOCK	4	U000840	SCREW, HC 1/2-13 X 1.50	
55	1	8031154	FUEL TANK	4	U200100	WASHER, FLAT 1/2"	
	4	U000040	SCREW, HC 1/4-20 X 0.75	4	U210111	WASHER, LOCK 1/2"	
	4	U200020	WASHER, FLAT 1/4"	4	U100120	NUT, HEX 1/2-13	
	4	U210020	WASHER, LOCK 1/4"	72	1	8030403	3" CLOSE NIPPLE
56	1	8031157	ENGINE	73	1	8030213	3" FNPT ELBOW
	4	U000560	SCREW, HC 3/8-16 X 3.00	74	1	8040188	KUNKLE ELBOW
	4	U100060	NUT, HEX 3/8-16	75	1	8030337	KUNKLE VALVE
	8	U200600	WASHER, FLAT 3/8"	76	1	8040340	KUNKLE VALVE FILTER
57	1	8031158	ENGINE MUFFLER	77	1	8040788	ADAPTER, 3" MNPT-3" ID
				78	1	8040799	SWING CHECK VALVE

WARRANTY RETURN GOODS POLICY

LIMITED WARRANTY

The Manufacturer warrants its products to be free from defects in material and workmanship for a period of twelve months from the date of shipment from the factory. Hole Hammer pistons, bodies, and nose pieces are warranted to be free from defects in material and workmanship for a period of three years from the date of shipment from the factory. The Manufacturer shall not be responsible for any damage resulting to or caused by its products by reason of installation, improper storage, unauthorized service, alteration of the products, neglect or abuse, or use of the product in a manner inconsistent with its design. This warranty does not extend to any component parts not manufactured by Manufacturer; however, Manufacturer's warranty herein shall not limit any warranties made by manufacturers of component parts which extend to Buyer.

Claims for defects in material and workmanship shall be made in writing to Manufacturer within ten days of discovery of defect. Manufacturer may either send a service representative or have the product returned to its factory at Buyer's expense for inspection. Upon notification of defect, Manufacturer will issue a return goods authorization number to Buyer. The return goods authorization number must accompany the product returned. If judged by the Manufacturer to be defective in material or workmanship, the product will be replaced or repaired at the option of the manufacturer, free from all charges except authorized transportation. Buyer shall be responsible for all maintenance services consisting of lubrication and cleaning of equipment, replacing expandable parts, making minor adjustments, and performing operating checks, all in accordance with procedures outlined in Manufacturer's maintenance literature.

THE FOREGOING WARRANTY IS IN LIEU OF ALL OTHER WARRANTIES AND NO REPRESENTATIONS, GUARANTEES, OR WARRANTIES, EXPRESS OR IMPLIED, (INCLUDING BUT NOT LIMITED TO A WARRANTY OF MERCHANTABILITY OR FITNESS FOR A PARTICULAR PURPOSE), ARE MADE BY THE MANUFACTURER IN CONNECTION WITH THE MANUFACTURE OR SALE OF ITS PRODUCTS. NO EMPLOYEE, DISTRIBUTOR, OR REPRESENTATIVE IS AUTHORIZED TO CHANGE THIS WARRANTY ON BEHALF OF MANUFACTURER. THE REMEDIES OF BUYER SET FORTH HEREIN ARE EXCLUSIVE AND ARE IN LIEU OF ALL OTHER REMEDIES. THE LIABILITY OF MANUFACTURER WHETHER IN CONTRACT, TORT, UNDER ANY WARRANTY, OR OTHERWISE SHALL NOT EXTEND BEYOND ITS OBLIGATION TO REPAIR OR REPLACE, AT ITS OPTION ANY PRODUCT OR PART FOUND BY MANUFACTURER TO BE DEFECTIVE IN MATERIAL OR WORKMANSHIP. MANUFACTURER SHALL NOT BE LIABLE FOR COST OF INSTALLATION AND/OR REMOVAL OR BE RESPONSIBLE FOR DIRECT, INDIRECT, SPECIAL OR CONSEQUENTIAL DAMAGES OF ANY NATURE.

GENERAL RETURNS OF MERCHANDISE

1. All returns must be pre-authorized
 - A. Please call our parts department for an RGA number
 - B. Please include RGA number on the outside of box
 - C. Include any required paper work or special instructions
 - D. Items returned without an RGA number will not be accepted
2. All returns are subject to a 20% restock charge.
3. Special items are non-returnable
 - A. Non-stock parts
 - B. Custom parts
 - C. If you are unsure about a parts status when ordering, ask your McLaughlin representative if the item fits on of the above conditions.
4. Items must be returned within thirty days of original order date.
5. Items not returned within 30 days from the date of RGA is issued will not be accepted.
6. The item(s) must be in new condition. Used item(s) are not returnable.

